

UPster U 500G M2 with Gio With Thermolabel

Undercounter glass washer

MEIKO's new UPster® U M2 range of undercounter dishwashers pulls out all the stops when it comes to professional warewashing technology, offering efficient cleaning performance, easy operation, maximum flexibility, and exceptional value for money. The perfect choice for your wash-up area. Simply plug it in and you're ready to go!



Execution for: Saudi Arabia

Glasswasher


Fresh water line: Soft cold water 0-3 °dH
 3-phase current: 3N PE 400V 60Hz
 Gio Module
 Thermolabel

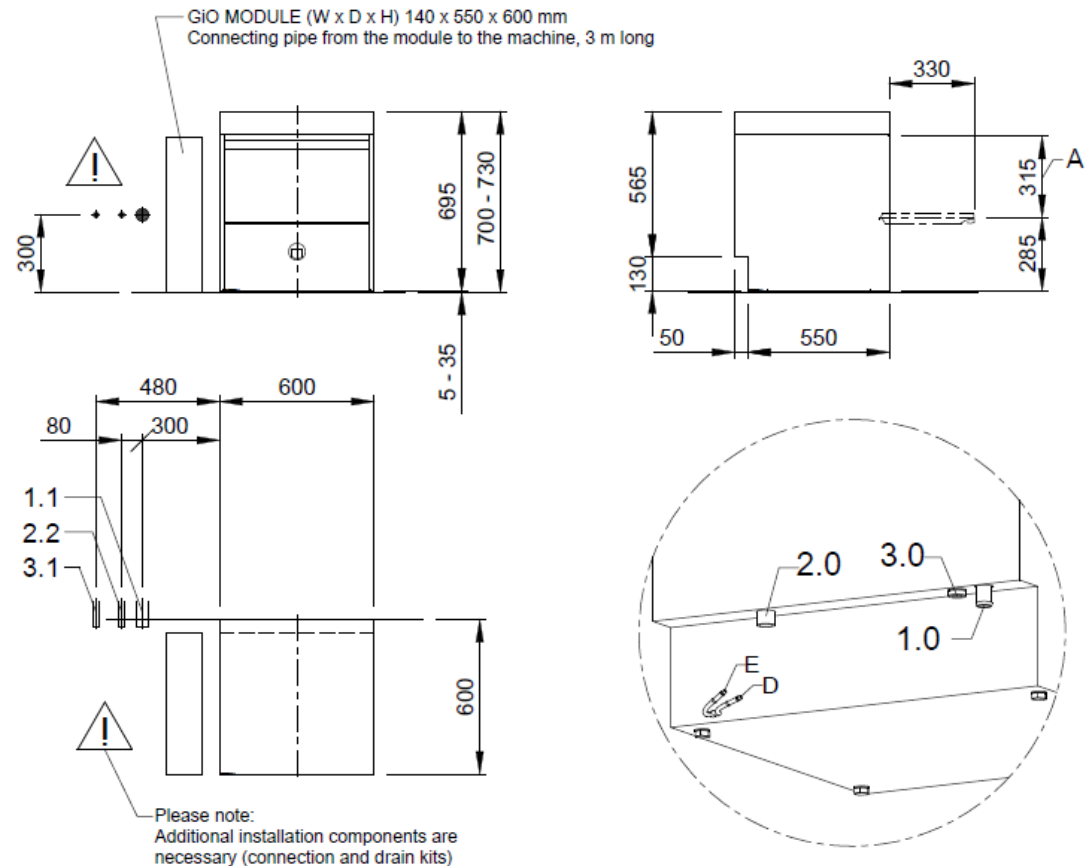
Technical data

Rack capacity/h (theoretical)	40 / 30 / 15 racks/h
Programme cycle	90 / 120 / 240 s
Rack dimension	500 x 500 mm (540 x 500)
Entry height	315 mm
Dimensions (W x Hmin x D)	600 x 700 x 600 mm
Electrical feeding cable	3-phase current 3N PE 400V 60Hz* Total connected load: 12.4 kW max. rated current: 19.5 A
Local fuse protection	20 A
Machine protection class	IP X4
Equipment	Control system MIKE CPU1 Infrared interface for wireless communication Leakage detector Soft start Boiler safety device Drain pump AktivPlus wash water filter system Automatic self-cleaning when tank is drained Gio Module Thermolabel
Fresh water line	For reverse osmosis: connecting set with stop valve, Pressure regulator, filter 10 µm with activated carbon Internal: air gap 'AA' in accordance with EN 1717 with booster pump
Fresh water supply	Minimum flow pressure 100 kPa / 1.0 bar in front of solenoid valve Maximum pressure 500 kPa / 5.0 bar in front of pressure reducer Max. supply water temperature 35 °C

Flow rate	total 5.5 l/min (at 15 °C inlet temperature and a flow pressure of 200 kPa / 2 bar) Permeate 2.0 l/min Concentrate 3.5 l/min
Fresh water thresholds	Temperature cold water min. 1 °C to max. 35 °C electrical conductivity < 1000 µS/cm Total hardness max. 28 dH / 5 mmol/l CaCO ₃ Free of particles > 10 µm Iron < 0.10 mg/l Manganese < 0.04 mg/l Chlorine > 0.10 mg/l (free chlorine) Potassium permanganate < 10 mg/l Silicic acid < 10 mg/l
Final rinse water quantity	2.6 liters/cycle
Boiler	Contents: 7.0 l Heater: 7.50 kW Temperature: 83 °C Tank / boiler locked
Wash tank	Filling: 11.0 l Heater: 4.00 kW Temperature: 74 °C
Wash pump	Performance: 0.55 kW
Dosing of rinse aid	Hose pump (24 V) with time control and suction lance
Detergent dosage	Hose pump (24 V) with time control and suction lance
Material	Cladding: 1.4301 Wash tank: 1.4301 Boiler: 1.4404
Heat emission	for 20 programme cycles/h total: 2.1 kW perceptible: 1.4 kW latent: 0.7 kW
Ventilation flow rate	270 m ³ /h
Steam emission	0.5 kg/h
Emission sound pressure level at the workplace (LpA)	63 dB

*

1.0	machine connection: drain connection hose, DN 22 hose fitted as odour trap in interior of machine
1.1	drain (max. 700 mm above finished floor level), DN 50
2.0	Machine connection: fresh water supply, G 3/4"
2.2	Soft cold water 10°C, DN 15, G 3/4 a max. 0,54 mmol/l CaCO ₃ (max. 3°dH) Flow rate: total 5.5 l/min (at 15 °C inlet temperature and a flow pressure of 200 kPa / 2 bar) electrical conductivity < 1000 µS/cm Minimum flow pressure: 100 kPa / 1.0 bar in front of solenoid valve Maximum pressure: 500 kPa / 5.0 bar in front of pressure reducer stopcock and fine screen ≤ 25 µm
3.0	Machine connection: electrical connection cable 5G 2,5mm ²
3.1	electricity supply to the machine: 3N PE 400V ~ 60Hz nominal current / - capacity: 19.5 A / 12.4 kW Fuse protection: 20 A ⚡ Voltage equalising cable The master switch must be provided on site Electrical equipment suitable for supply voltage: 3N PE 380-415 V 60 Hz
6.0	Heat load of warewash area
6.1	for 10 programme cycles/h total 1.1 kW, perceptible 0.7 kW, latent 0.4 kW
all cables, pipes etc leaving machine 1,6 m	
the position of the connection piping can also be mirror-inverted!	
Machine Equipment	
(A) Entry height	
(D) Rinse agent pipe and suction lance	
(E) Detergent dosing unit with suction lance	
Thermolabel	
Chlorine-resistant membrane (> 0,1 mg/l bis 2,0 mg/l)	
	Please observe the installation indications of the additional document MP_T-INFO-GIO_EN.pdf



MP000403588.1.7

©COPYRIGHT by MEIKO



MEIKO MIDDLE EAST FZE
GoldDiamond Park, Building#6, office #206
P.O. Box 282365, U.A.E.-Dubai
Phone +971 43 41 51 72
E-MAIL: wat@meiko.de

This drawing may not be neither passed to third parties for their information or copied or used for competitive purposes without our consent. All rights reserved. We reserve the right to make changes resulting from technical progress. This drawing was computer generated and is not subject to the checking and any release process; it is also not subject to change management.

Please note:

This document is only valid in conjunction with the conditions defined in Supplementary Sheet "Important Information". These can be requested from the manufacturer or downloaded from the Partnernet.

Revision			
Reference	DISHWASHER STANDARD DRAWING / SAU		Type UPSTER U 500G M2 GIO MODULE SEPARATE THERMOLABEL
Drawing-No.	S00078830		Order-No.
Scale	1:25	drawn:	checked:
	08.04.2020	m-iplan	08.04.2020 m-iplan

SAU EN

©COPYRIGHT by MEIKO