

## UPster U500 M2 with Thermolabel

### Undercounter dishwasher

MEIKO's new UPster® U M2 range of undercounter dishwashers pulls out all the stops when it comes to professional warewashing technology, offering efficient cleaning performance, easy operation, maximum flexibility, and exceptional value for money. The perfect choice for your wash-up area. Simply plug it in and you're ready to go!

### Execution for: United Arab Emirates Dishwashing machine with Thermolabel

Fresh water line: Soft warm water 0-3°dH  
3-phase current: 3N PE 400V 50Hz

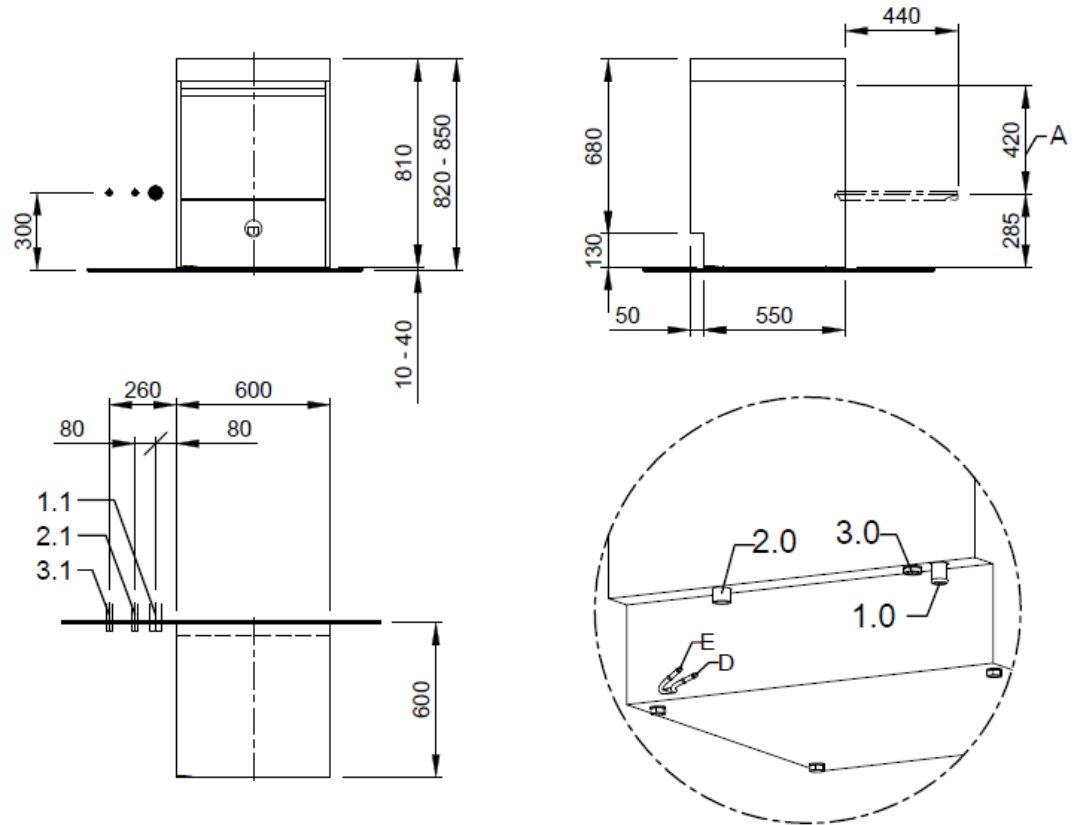


## Technical data


<b>Rack capacity/h (theoretical)</b>	40 / 30 / 15 racks/h
<b>Programme cycle</b>	90 / 120 / 240 s
<b>Rack dimension</b>	500 x 500 mm (540 x 500)
<b>Entry height</b>	420 mm
<b>Dimensions (W x Hmin x D)</b>	600 x 820 x 600 mm
<b>Electrical feeding cable</b>	3-phase current 3N PE 400V 50Hz* Total connected load: 9.4 kW max. rated current: 15.2 A
<b>Local fuse protection</b>	16 A
<b>Machine protection class</b>	IP X4
<b>Equipment</b>	Control system MIKE CPU1 Infrared interface for wireless communication Leakage detector Soft start Boiler safety device Drain pump AktivPlus wash water filter system Automatic self-cleaning when tank is drained Thermolabel
<b>Fresh water line</b>	Air gap 'AA' in accordance with EN 1717 with booster pump
<b>Fresh water supply</b>	Minimum flow pressure 60 kPa / 0.6 bar in front of solenoid valve Maximum pressure: 500 kPa / 5.0 bar Max. supply water temperature 60 °C
<b>Flow rate</b>	5 l/min
<b>Final rinse water quantity</b>	2.6 liters/cycle

<b>Boiler</b>	Contents: 7.0 l Heater: 4.50 kW Temperature: 83 °C Tank / boiler locked
<b>Wash tank</b>	Filling: 11.0 l Heater: 4.00 kW Temperature: 74 °C
<b>Wash pump</b>	Performance: 0.55 kW
<b>Dosing of rinse aid</b>	Hose pump (24 V) with time control and suction lance
<b>Detergent dosage</b>	Hose pump (24 V) with time control and suction lance
<b>Material</b>	Cladding: 1.4301 Wash tank: 1.4301 Boiler: 1.4404
<b>Heat emission</b>	for 10 programme cycles/h total: 1.1 kW perceptible: 0.7 kW latent: 0.4 kW
<b>Ventilation flow rate</b>	270 m <sup>3</sup> /h
<b>Steam emission</b>	0.5 kg/h
<b>Emission sound pressure level at the workplace (LpA)</b>	63 dB

1.0	machine connection: drain connection hose, DN 22 hose fitted as odour trap in interior of machine
1.1	drain (max. 700 mm above finished floor level), DN 50
2.0	Machine connection: fresh water supply, G 3/4"
2.1	Soft warm water 45-60°, DN 15, G 3/4 a max. 0,54 mmol/l CaCO <sub>2</sub> (max. 3°dH) Flow rate: 5 l/min Minimum flow pressure: 60 kPa / 0.6 bar in front of solenoid valve Maximum pressure: 500 kPa / 5.0 bar stopcock and fine screen ≤ 25 µm
3.0	Machine connection: electrical connection cable 5G 2,5mm <sup>2</sup>
3.1	electricity supply to the machine: 3N PE 400V ~ 50Hz nominal current / - capacity: 15.2 A / 9.4 kW Fuse protection: 16 A ⊕ Voltage equalising cable The master switch must be provided on site  Electrical equipment suitable for supply voltage: 3N PE 380-415 V 50 Hz / 1N PE 220-240 V 50 Hz
6.0	Heat load of warewash area
6.1	for 10 programme cycles/h total 1.1 kW, perceptible 0.7 kW, latent 0.4 kW
all cables, pipes etc leaving machine 1,6 m	
the position of the connection piping can also be mirror-inverted!	
<b>Machine Equipment</b>	
(A) Entry height	
(D) Rinse agent pipe and suction lance	
(E) Detergent dosing unit with suction lance	
Thermolabel	



MP000403343.1.7  
©COPYRIGHT by MEIKO

 <b>MEIKO MIDDLE EAST FZE</b> GoldDiamond Park, Building#6, office #206 P.O. Box 282365, U.A.E.-Dubai Phone +971 43 41 51 72 E-MAIL: wat@meiko.de		Revision	
		Reference	DISHWASHER STANDARD DRAWING / ARE
This drawing may not be neither passed to third parties for their information or copied or used for competitive purposes without our consent. All rights reserved. We reserve the right to make changes resulting from technical progress. This drawing was computer generated and is not subject to the checking and any release process; it is also not subject to change management. Please note: This document is only valid in conjunction with the conditions defined in Supplementary Sheet "Important Information". These can be requested from the manufacturer or downloaded from the Partnernet.		Type	UPSTER U 500 M2
		TYPE: CROCKERY	THERMOLABEL
Drawing-No.		Order-No.	
S00078773			
Scale	drawn:	checked:	
1:25	07.04.2020 m-iplan	07.04.2020 m-iplan	

ARE EN

©COPYRIGHT by MEIKO