

FV 130.2

Pots & Pan washer

Designed to handle one of the toughest tasks in the kitchen.

- The FV 130.2 and FV 250.2 utensil washers are equipped with the very latest state of the art MIKE 2 fully electronic control system.
- The well thought-out door design provides first class access to the washing chamber, allowing all types and sizes of pots and pans, GN containers, trays, cooking utensils, storage boxes and crates, and much, much, more.
- **Stainless steel wash and final rinse system** incl. ascending pipes
- **AktivPlus fine mesh filter system** ensures outstanding cleaning performance, thanks to the multi-filtered wash water.
- **Installation with connection kit**, (water, waste water and power) allows for fast and economic commissioning. With the integral drain pump, a waste discharge height of up to 700 mm is possible.
- **Sloping and tented ceiling**, prevents washing solution from dripping onto washed items.
- **Double-walled machine** with additional insulation
- **Smooth and easy to clean** inner walls free of otherwise inconvenient pipework.
- **Self-cleaning programme.**
- **Fully electronic control** system with touch sensitive keypad and infrared interface.
- **Deep drawn wash tank** with rounded contours.
- **Aqua-Stop System**, with base drip tray. Superb operating security due to the automatic water leakage detection control. High protection of all integral machine components



Execution for: United Arab Emirates

Programme start button: right

Working height: 845 mm


Fresh water line: Soft warm water 0-3°dH

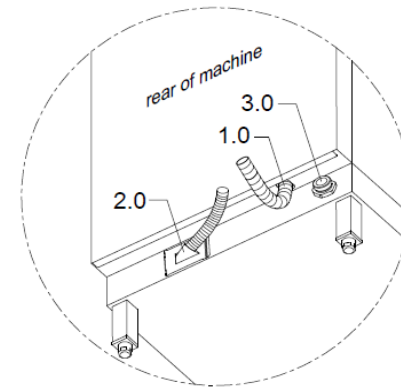
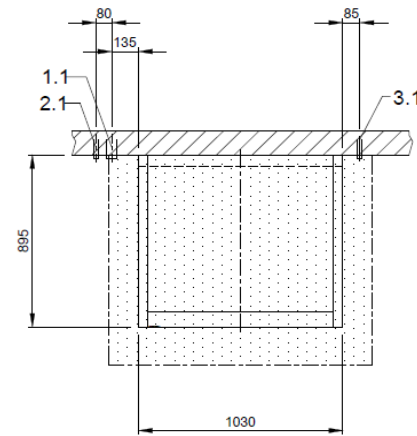
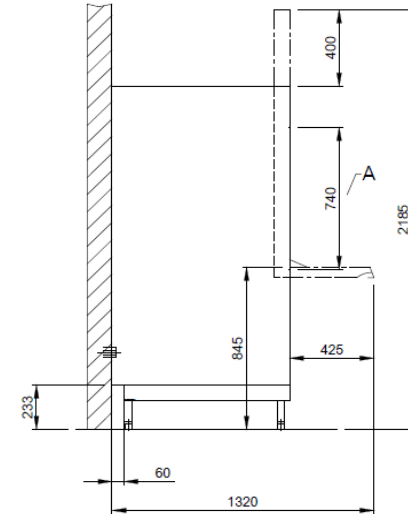
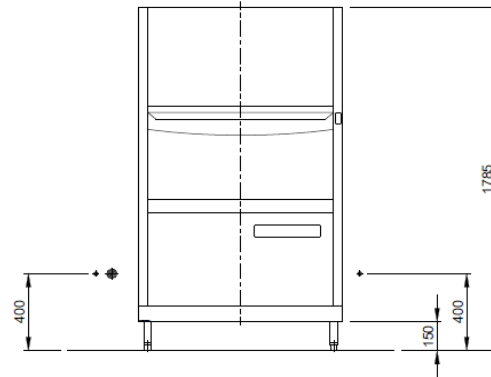
3-phase current: 3N PE 400V 50Hz


Technical data

Rack capacity/h (theoretical)	30 / 15 / 10 racks/h
Programme cycle time	120 / 240 / 360 s
Rack dimension	850 x 700 mm
Entry height	740 mm
Dimensions (W x Hmin x D)	1030 x 1785 x 895 mm
Electrical feeding cable	3-phase current 3N PE 400V 50Hz* Total connected load: 8.7 kW max. rated current: 16.7 A
Protection class of the machine	IP X5
Equipment	MIKE 2 control

	<p>Infrared interface for wireless communication Leakage detector Soft start Wash arm drive Boiler safety device Drain pump Automatic self-cleaning when tank is drained Aqua-Stop system Back wall cladding</p>
Fresh water line	Air gap 'AB' in accordance with EN 1717 with booster pump
Fresh water supply	<p>Minimum flow pressure 60 kPa / 0.6 bar in front of solenoid valve Maximum pressure: 500 kPa / 5.0 bar Max. supply water temperature 60 °C</p>
Flow rate	5 l/min
Final rinse water quantity	5.8 liters/cycle
Boiler	<p>Contents: 18.0 l Heater: 6.00 kW Temperature: 83 °C Tank / boiler locked</p>
Wash tank	<p>Filling: 85.0 l Heater: 6.00 kW Temperature: 60 °C</p>
Wash pump	Performance: 2.20 Kw
Dosing of rinse aid	Hose pump (24 V) with time control and suction lance
Material	<p>Cladding: 1.4301 Wash tank: 1.4301 Boiler: 1.4404</p>
Heat emission	<p>for 15 programme cycles/h total: 4.5 kW perceptible: 3.0 kW latent: 1.5 kW</p>
Ventilation flow rate	1150 m ³ /h
Steam emission	2.1 kg/h
Emission sound pressure level at the workplace (LpA)	69 dB
Net weight	270 kg

1.0	machine connection: drain connection hose, DN 22 hose fitted as odour trap in interior of machine
1.1	drain (max. 700 mm above finished floor level), DN 50
2.0	Machine connection: fresh water supply, G 3/4"
2.1	Soft warm water 45-60°, DN 15, G 3/4 a max. 0,54 mmol/l CaCO ₂ (max. 3°dH) Flow rate: 5,0 l/min Minimum flow pressure: 60 kPa / 0.6 bar in front of solenoid valve Maximum pressure: 500 kPa / 5.0 bar stopcock and fine screen ≤ 25 µm
3.0	Machine connection: electrical connection cable 5G 6mm ²
3.1	electricity supply to the machine: 3N PE 400V ~ 50Hz nominal current / - capacity: 16.7 A / 8.7 kW ⚡ Voltage equalising cable The master switch must be provided on site
6.0	Heat load of warewash area The values apply for the following room conditions: Room temperature 22 °C, rel. humidity 55 %  Recommended suction area according to German EN 16282 or any local regulations have to be observed to determine ventilation of wash areas The total heat load includes 6.1
6.1	Heat load of the machine in normal washing operation: for 15 programme cycles/h total 4.5 kW, perceptible 3.0 kW, latent 1.5 kW
For the total space load, all other space loads must be considered. The space ventilation must be designed in accordance with EN 16282.	
all cables, pipes etc leaving machine 1,4 m	
Machine Equipment	
Tank / boiler locked	
(A) Entry height	
Final rinse dosing unit with suction lance (blue connector)	
Back wall cladding	



 <p>MEIKO MIDDLE EAST FZE GoldDiamond Park, Building#6, office #206 P.O. Box 282365, U.A.E.-Dubai Phone +971 43 41 51 72 E-MAIL: wat@meiko.de</p> <p><small>This drawing may not be neither passed to third parties for their information or copied or used for competitive purposes without our consent. All rights reserved. We reserve the right to make changes resulting from technical progress. This drawing was computer generated and is not subject to the checking and any release process, it is also not subject to change management.</small></p> <p><small>Please note: This document is only valid in conjunction with the conditions defined in Supplementary Sheet 'Important Information'. These can be requested from the manufacturer or downloaded from the Partnernet.</small></p>	Revision	Reference	Type
		DISHWASHER	FV130.2
		STANDARD DRAWING / ARE	
		TYPE: UNIVERSAL	
	Drawing-No.	Order-No.	
	S00082086		
	Scale	drawn:	checked:
	1:25	04.06.2020 m-iplan	04.06.2020 m-iplan
	ARE	EN	