

Section W-W

650.00mm Basic Frame [25 5/8]

Detail Z

Detail Y

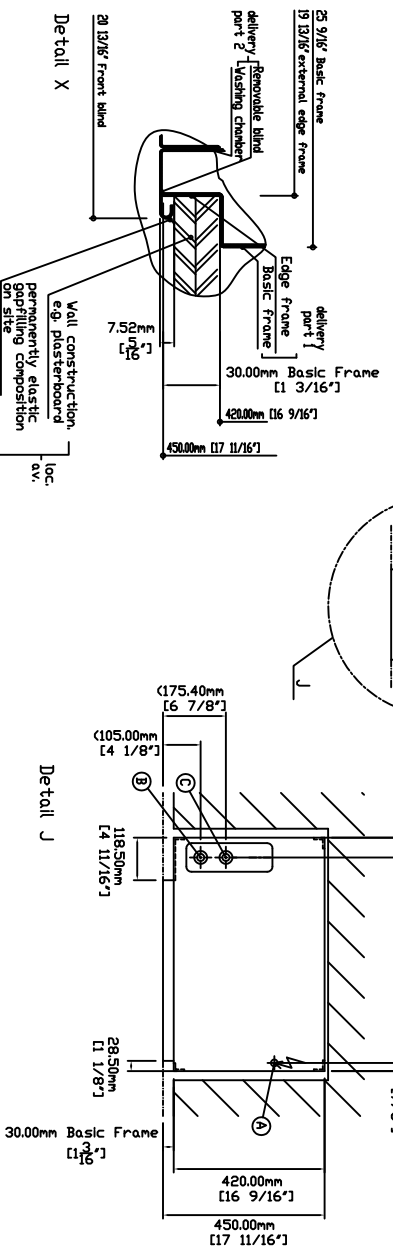
Detail X



Weight of frame 30 kg - 66 lbs.
Weight of unit 80 kg - 176 lbs.
Total weight 110 kg - 242 lbs.



Note: See DPA-2522-10



Sanitary Installation		MEIKO	
B Cold Water	R 1/2" NPT	Stop-codice 1/4" Stroke	114/5 PSI
C Hot water	R 1/2" NPT	Stop-codice 1/4" Stroke	100-140°F
E Waste Disposal	3" Trap	Waste Pipe 3" DIA 4	14.5 PSI
F Vent	2" Vent Connection	Local Area Vent 2" 124 CFM	
Electrical Installation			
A 13 Ph - 208/230V, 60Hz, 4.2KW/4.6KW			
Protection class Equipment Class 1, Pollution Degree 2			
Installation Category II, Main switch			
Connection dimensions are subject to tolerances.			
It is neither allowed to give this drawing without our permission to a third party for information or reproduction, nor may it be used for competition purposes. All rights are reserved. Subject to technical changes.			

MEIKO USA INC
1349 Hill Darden Blvd La Vergne TN 37086
UNITED STATES OF AMERICA
TEL: (615)399-6600 FAX: (615)399-6600

Reference: Type TOP LINE 30 DJ - INDV LH
Thermal Disinfection/Inertial Steam Generation
Proj. no.
Drawing no.
Checked: db
Index

Scale: 1:20
Drawn: pm
Date: May 10, 2011
Checked: db
Date: May 10, 2011

FOR U.S. INSTALLATION ONLY.