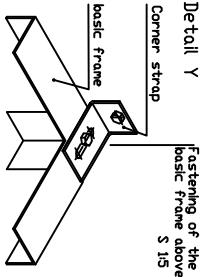
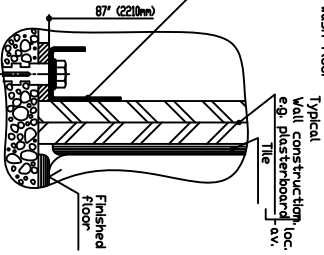


FOR U.S. INSTALLATION ONLY.



Note: See DPA-2522-10

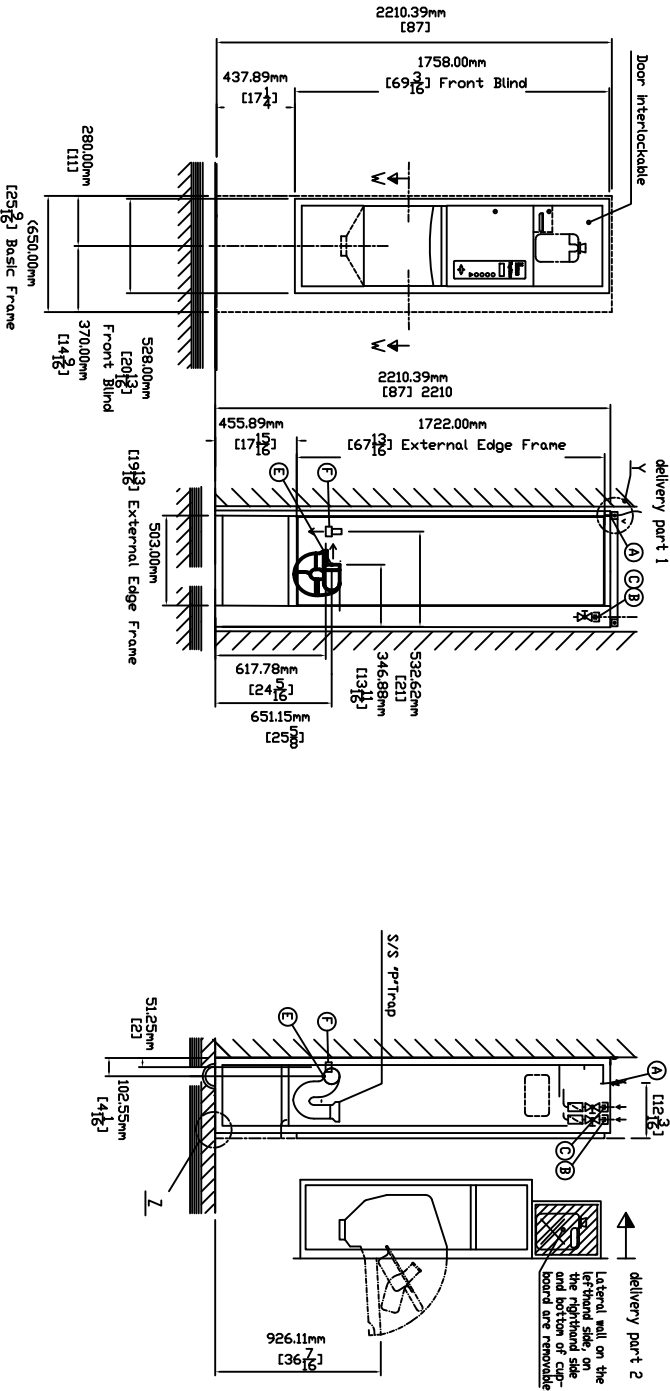
Detail Z
Fastening of the basic frame on the wash floor



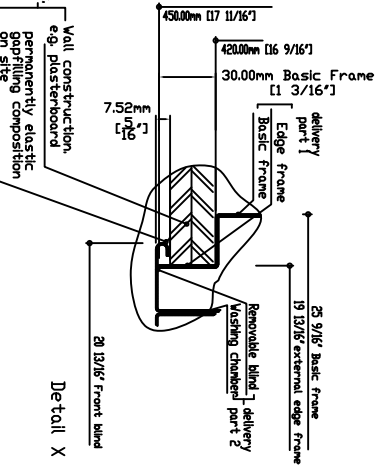
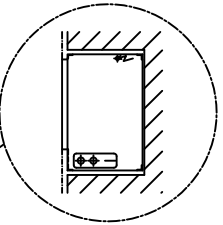
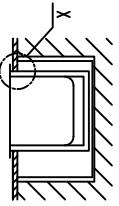
Note: See DPA-2522-10



Weight of frame 30 kg - 66 lbs.
Weight of unit 80 kg - 176 lbs.
Total weight 110 kg - 242 lbs.



Section W-W



Sanitary Installation	MEIKO	In the building
B Cold Water	R 1/2" NPT Stop-Backs, 1/2" Stop-Backs, 1/2" Strainer	1/2" x 1/2" x 1/2" 41-77F
C Hot Water	R 1/2" NPT Stop-Backs, 1/2" Strainer	1/2" x 1/2" x 1/2" 110-140°F
E Waste Outlet	3" Waste Pipe 3" JBU 4	3" Waste Pipe 3" JBU 4
F Vent	2" Vent	2" Local Area Vent 2" L24 GFH

Electrical Installation
A 3 PH - 208/230V, 60Hz, 42kVA/45kVA
Protection class Equipment Class 1, Pollution Degree 2, carried out according to IEC 384-324 and conform to the applicable standards as the local and national power utilities regulations.
Connection dimensions are subject to tolerance.
It is neither allowed to give the drawing without our permission to a third party for information or reproduction, nor may it be used for competition purposes. All rights are reserved. Subject to technical changes.

MEIKO USA, INC.
1249 HALL COUNTY BLVD
UNITED STATES OF AMERICA
TEL: (615)399-6600 FAX: (615)399-6600

Reference
Type TDP LINE 30 DT-ADV RH
Thermal distribution/ Internal Steam Generation
Pro.j. no.
Drawing no.
Checked
Date: May/2011