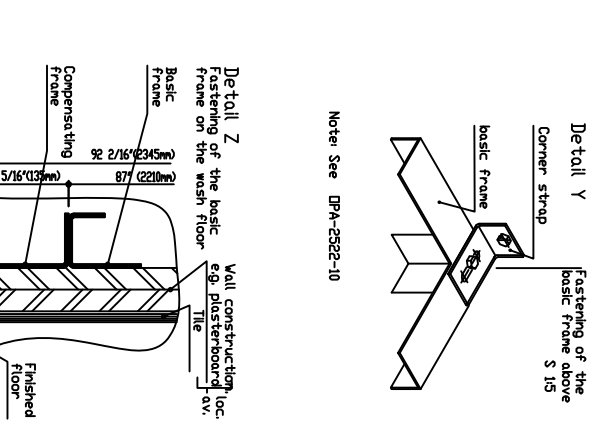
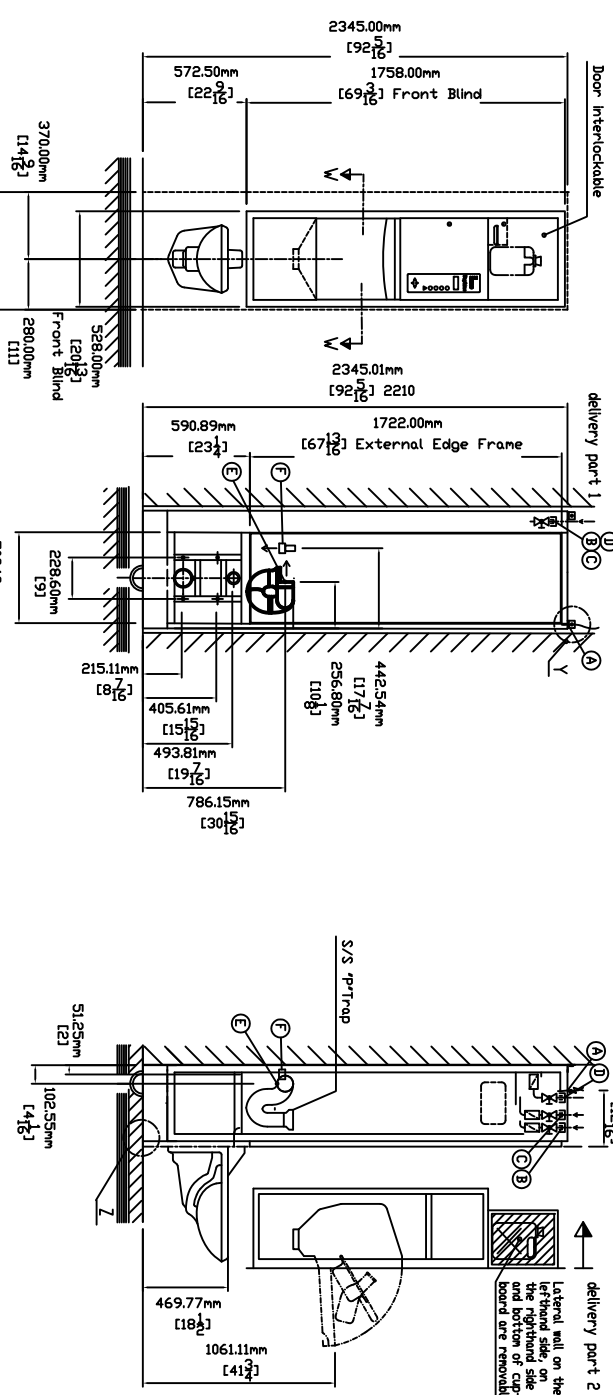


FBR U.S. INSTALLATION D.N.Y.



Note: See DPA-2522-10



Note: See DPA-2522-10  
 Weight of frame 30 kg - 66 lbs.  
 Weight of unit 80 kg - 176 lbs.  
 Total weight 110 kg - 242 lbs.



Sanitary Installation	MEKO	In the building
B Cold water	R 1/2" NPT Stop-cocks w/ Strainer	Hot water inlet pipe 3/4" 41-77F
C Hot water	R 1/2" NPT Stop-cocks w/ Strainer	Flow line pressure 14.76 gal./minute, 14.5 PSI
D Low pressure steam	R 1/2" NPT Stop-cocks, 1/2" Strainer	Hot water inlet pipe 3/4" Stop-cocks 110"-140F
E Waste Drainage	3" Trap	Flow line pressure 14.76 gal./minute, 14.5 PSI
F Vent	2" Vent Connection	Flow line pressure 14.76 gal./minute, 14.5 PSI

**Electrical Installation**  
 A 13 Ph - 208/230V, 60Hz, 0.8KV  
 Protection class: Equipment Class I, Pollution Degree 2  
 Installation Category II, Main switch  
 Connection dimensions are subject to tolerances.  
 It is neither allowed to give this drawing without our permission nor may it be used for competition purposes. All rights are reserved. Subject to technical changes.

**MEKO USA INC.**  
 1349 Hill Drive  
 LIMITED STATES OF AMERICA  
 TEL: (615)299-6600 FAX: (615)299-6600

**Reference**  
 Type: TPLINE30WC DT-IND LH ADA  
 Thermal Disinfection/External Steam Supply