

Symbol	Description	Notes
B	Cold Water	R 1/2" NPT Stop-cocks, 1/2" Strainer
C	Hot water	R 1/2" NPT Stop-cocks, 1/2" Strainer
E	Waste Outlet	2" PP Trap
F	Vent	2" Vent Connection

Sanitary Installation

In the building:

Water pipe 3/4" 41-77F
 Flow Pipe Pressure 24/16 Gal/Minute, 244.5 PSI
 Waste Pipe 3/4" Stop-cocks: 110-140F
 Waste Pipe 3/4" Stop-cocks: 24/16 Gal/Minute, 244.5 PSI

Local Area Vent 2" 12.4 CFM

Electrical Installation

208/230V, 60Hz, 4.2KV/4.5KV

Protection class Equipment degree 2

Protection class 3kVA Protective measures as well as connection of the ear-potential bonding must be carried out according to IEC 384-5-34 and conform to the applicable standards (UL, IEC, etc.) to the local and national power utilities regulations.

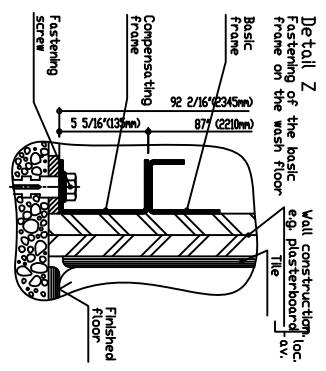
It is neither allowed to give the drawing without our permission to a third party for information or reproduction, nor may it be used for competition purposes. All rights are reserved. Subject to technical changes.



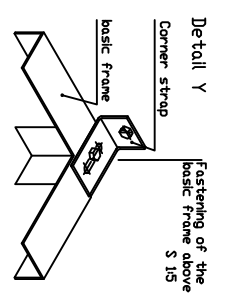
Weight of frame 30 kg - 66 lbs.
 Weight of unit 80 kg - 176 lbs.
 Total weight 110 kg - 242 lbs.



Note: See DPA-2522-10



Note: See DPA-5522-10



FR U.S. INSTALLATION ONLY.

Reference: MEIKO USA, INC. L.A. Verge TH 37086
 1249 Hill Road
 UNITED STATES OF AMERICA
 TEL: (651)399-6600 FAX: (651)399-6600

Project: Thermal disinfection/Interval Steam Generation

Checked: []

Date: May/12/2011