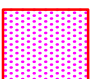
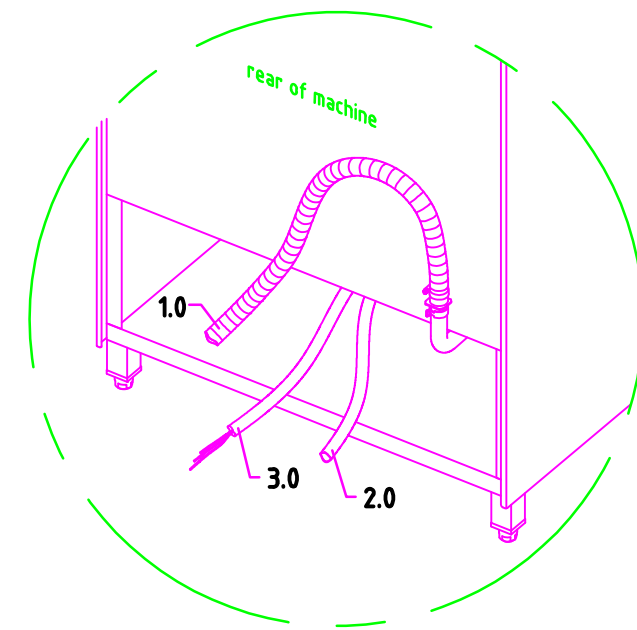
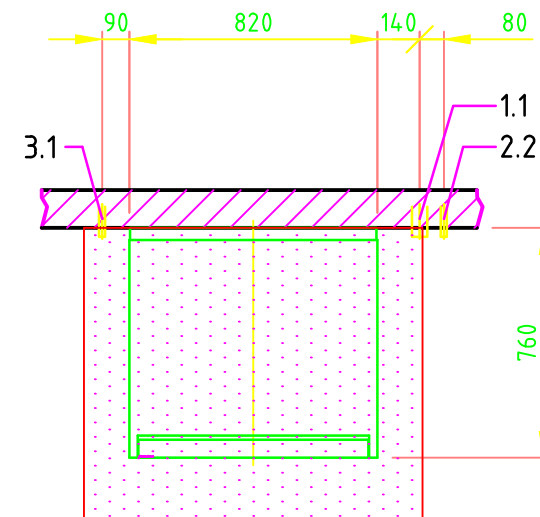
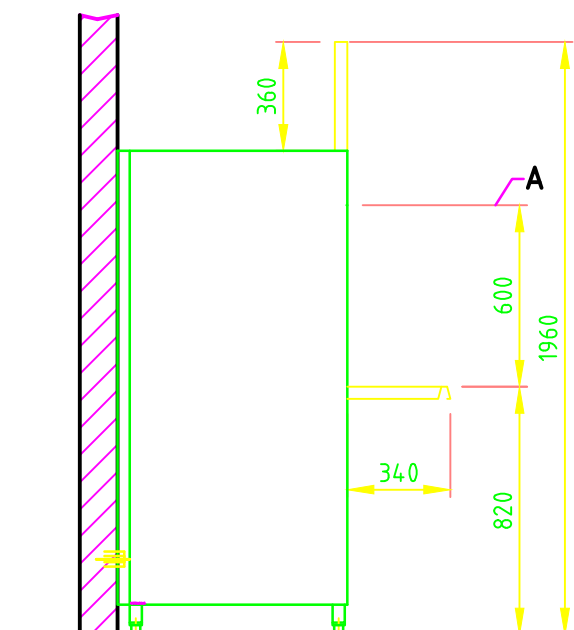
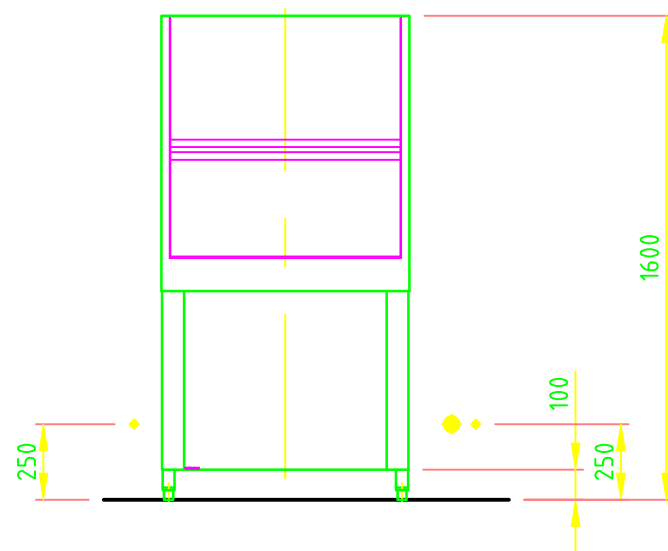



|   |   |  |
|---|---|--|
| 1.0   | machine connection: Drain line<br>hose fitted as odour trap in interior of machine  | DN 22  |
| 1.1   | drain<br>(drain pump required from a height of 300 mm)  | DN 50  |
| 2.0   | machine connection: fresh water line  | G 3/4"   |
| 2.2   | soft cold water 10°C<br>max. 0,54 mmol/l CaCO <sub>3</sub> / 53,4 ppm / CaCO <sub>3</sub> (max.3°GH)<br>approx. water flow rate 0,33 l/s<br>min. flow pressure: 250 kPa / 2,5 bar upstream of the solenoid valve, maximum pressure: 500 kPa / 5 bar<br>stopcock and fine screen ≤ 25 µm | DN 20  |
|   |   | G 3/4 a  |
| 3.0   | machine connection: electricity<br>connecting cable   | 5G 4mm <sup>2</sup>  |
| 3.1   | electricity supply to the machine   | 3N PE 400V~ 50Hz   |
|   | nominal current / - capacity  | 20,1 A 12,6 kW   |
|   | ⊕ Voltage equalising cable  | Fuse protection: 25 A  |
| Electrical equipment suitable for supply voltage:                                 |   | 3N PE 380-415 V 50 Hz / 1N PE 220-240 V 50 Hz                |
| heat load of the wash room<br>in case of 15 program cycles /h                     |   | total ca.2,8 kW<br>perceptible ca.1,9 kW<br>latent ca.0,9 kW |
| all cables, pipes etc leaving machine   |   | 1,6 m  |
| the position of the connection piping can also be mirror-inverted                 |   |  |
| Machine Equipment   |   |  |
| (A) Entry height  |   |  |
| Potential free terminals (changeable to 230V) for local dosingsystem              |   |  |
|  | Recommended suction area according to German VDI 2052 or any local regulations have to be observed to determine ventilation of wash areas   |  |



|   |           |                                      |                              |
|---|-----------|--------------------------------------|------------------------------|
| <br>MEIKO Clean Solutions (SEA) Sdn. Bhd.<br>No 8, Lorong Teknologi C (OMNI),<br>Taman Sains Selangor 1, Kota Damansara,<br>47810 Petaling Jaya, Selangor, Malaysia<br>Tel: +60 3 6151 5461 Fax: +60 3 6151 5464<br>E-MAIL: support.asia@meiko-asia.com  | Revision  |                                      |                              |
|   | Reference | DISHWASHER<br>STANDARD DRAWING / BRN |                              |
| This drawing may not be neither passed to third parties for their information or copied or used for competitive purposes without our consent. All rights reserved. We reserve the right to make changes resulting from technical progress. This drawing was computer generated and is not subject to the checking and any release process; it is also not subject to change management.<br>Please note:<br>This document is only valid in conjunction with the conditions defined in Supplementary Sheet "Important Information". These can be requested from the manufacturer or downloaded from the Partnernet. | Type      | UPSTER PF 600                        |                              |
|   | Order-No. |                                      |                              |
| TYPE: UNIVERSAL<br>Drawing-No.<br>S00088272   | Scale     | 1:25                                 | drawn:<br>10.08.2020 m-iplan |
|   | checked:  | 11.08.2020                           | m-iplan                      |